

SNO-8081R

5Megapixel Network IR Bullet Camera

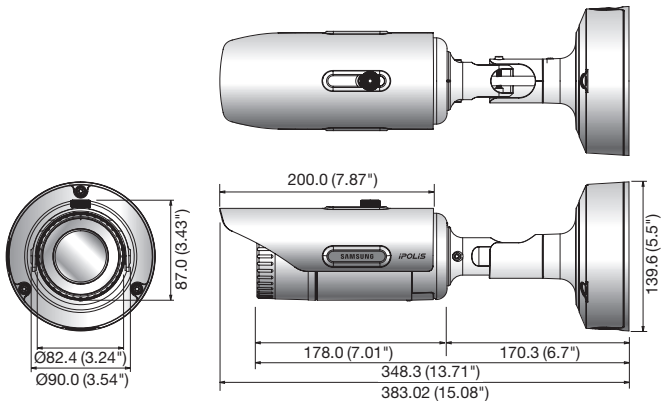


Key Features

- Max 5M (2592 x 1944) resolution
- 30fps@5M, 60fps@2M
- 0.15Lux@F1.3 (Color), 0Lux (B/W : IR LED on)
- 3.93 ~ 9.4mm (2.4x) motorized varifocal lens
- H.265, H.264, MJPEG support
- Day & Night (ICR), WDR (120dB), Simple focus, P-Iris
- Tampering, Audio detection
- micro SD/SDHC/SDXC memory slot, NAS, Local PC support
- Hallway view (Rotate 90° / 270°)
- LDC (Lens Distortion Correction)
- IP66, IK10, Bi-directional audio support

Dimensions

Unit : mm (inch)



Accessories (Optional)



SNO-8081RN/P

VIDEO	
Imaging Device	1/1.8" 6M CMOS
Total Pixels	3,096(H) x 2,094(V)
Effective Pixels	2,616(H) x 1,976(V)
Scanning System	Progressive
Min. Illumination	Color : 0.3Lux (1/30sec, F1.3, 50IRE), 0.005Lux (2sec, F1.3, 50IRE) 0.15Lux (1/30sec, F1.3, 30IRE), 0.003Lux (2sec, F1.3, 30IRE) B/W : 0Lux (IR LED on)
S / N Ratio	50dB
Video Output	CVBS : 1.0 Vpp / 75Ω composite, 704 x 480(N), 704 x 576(P), for installation DIP connector type
LENS	
Focal Length (Zoom Ratio)	3.93 ~ 9.4mm (2.4x) motorized varifocal
Max. Aperture Ratio	F1.3
Angular Field of View	H : 93.4°(Wide) ~ 39.2°(Tele) / V : 68.1°(Wide) ~ 29.3°(Tele)
Min. Object Distance	0.5m (1.64ft)
Focus Control	Simple focus (Motorized V/F) / Manual, Remote control via network (Manual, Simple focus)
Lens Type / Mount Type	DC auto iris, support P-Iris mode / Board-in type
OPERATIONAL	
Viewable Length	30m (98.43ft), Smart IR
Camera Title	Off / On (Displayed up to 15 characters)
Day & Night	Auto (ICR) / Color / B/W / External / Schedule
Backlight Compensation	Off / BLC / WDR
Wide Dynamic Range	120dB
Contrast Enhancement	SSDR (Samsung Super Dynamic Range) (Off / On)
Digital Noise Reduction	SSNR (2D+3D noise filter) (Off / On)
Motion Detection	Off / On (4ea, Rectangle)
Privacy Masking	Off / On (6ea, Rectangle) - Color : Black / Blue / Red / Grey / White / Green
Gain Control	Off / Low / Medium / High
White Balance	ATW / AWC / Manual / Indoor / Outdoor (Include mercury & Sodium)
LDC (Lens Distortion Correction)	Off / On (Level auto control)
Electronic Shutter Speed	Minimum / Maximum / Anti flicker (2 ~ 1/12,000sec)
Flip / Mirror	Off / On, Halfway : 90° / 270°
Intelligent Video Analytics	Tampering, Audio detection - with metadata
Alarm I/O	Input 1ea / Output 1ea
Alarm Triggers	Alarm input, Motion detection, Tampering, Audio detection, Network disconnect
Alarm Events	File upload via FTP and E-mail, Notification via E-mail Local storage (SD/SDHC/SDXC) or NAS recording at event triggers, External output Support
Pixel Counter	Support
NETWORK	
Ethernet	RJ-45 (10/100BASE-T)
Video Compression Format	H.265 : Main, H.264 (MPEG-4 part 10/AVC) : Main / Baseline / High, MJPEG
Resolution	5M mode : 2592 x 1944, 2592 x 1464, 1920 x 1080, 1600 x 1200, 1280 x 1024, 1280 x 960, 1280 x 720, 1024 x 768, 800 x 600, 720 x 480, 640 x 480, 320 x 240 2M mode : 1920 x 1080, 1280 x 1024, 1280 x 960, 1280 x 720, 1024 x 768, 800 x 600, 720 x 576, 720 x 480, 640 x 480, 320 x 240
Max. Framerate	5M mode - H.265 / H.264 : 30fps in all resolutions MJPEG : 2592 x 1944 ~ 2592 x 1464 : 2fps, 1920 x 1080 ~ 1600 x 1200 : 4fps 1280 x 1024 ~ 1024 x 768 : 5fps, 800 x 600 ~ 320 x 240 : 15fps 2M mode - H.265 / H.264 : 60fps in all resolutions MJPEG : 1920 x 1080 : 4fps, 1280 x 1024 ~ 1024 x 768 : 5fps, 800 x 600 ~ 320 x 240 : 15fps
Smart Codec	Manual mode (Area-based : 4ea)
Video Quality Adjustment	H.265 / H.264 : Compression level, Target bitrate level control, MJPEG : Quality level control
Bitrate Control Method	H.265 / H.264 : CBR or VBR, MJPEG : VBR
Streaming Capability	Multiple streaming (Up to 3 profiles) - Total 3 stream at the same time (Including recording stream)
Audio In	Selectable (Mic in / Line in) Supply voltage : 2.5V DC (4mA), Input impedance : approx. 2K Ohm
Audio Out	Line out (3.5mm stereo mini jack), Max output level : 1Vrms
Audio Compression Format	G.711 u-law/G.726 selectable, G.726 (ADPCM) 8KHz, G.711 8KHz G.726 : 16Kbps, 24Kbps, 32Kbps, 40Kbps
Audio Communication	Bi-directional audio (2-way)
IP	IPv4, IPv6
Protocol	TCP/IP, UDP/IP, RTP(UDP), RTP(TCP), RTCP, RTSP, NTP, HTTP, HTTPS, SSL, DHCP, PPPoE, FTP, SMTP, ICMP, IGMP, SNMPv1/v2c/v3(MIB-2), ARP, DNS, DDNS, QoS, PIM-SM, UPnP, Bonjour
Security	HTTPS(SSL) login authentication, Digest login authentication IP address filtering, User access log, 802.1x authentication (EAP-TLS, EAP-LEAP)
Streaming Method	Unicast / Multicast
Max. User Access	10 users at unicast mode
Edge Storage	micro SD/SDHC/SDXC (128GB) - Motion images recorded in the SD/SDHC/SDXC memory card can be downloaded, Camera can detect automatically when the memory is connected, Memory status display (Normal / Error / Formatting / Lock), NAS (Network Attached Storage), Local PC for instant recording
Application Programming Interface	ONVIF profile S, SUNAPI (HTTP API), SVNP, Samsung Techwin Open Platform
Webpage Language	English, French, German, Spanish, Italian, Chinese, Russian, Japanese, Swedish, Danish, Portuguese, Turkish, Polish, Czech, Rumanian, Serbian, Dutch, Croatian, Hungarian, Greek
Web Viewer	Supported OS : Windows XP / VISTA / 7 / 8 / 8.1 or higher, MAC OS X 10.7 ~ 10.10 Supported Browser : Microsoft Internet Explorer (Ver. 8 ~ 11), Mozilla Firefox (Ver. 9 ~ 35), Google Chrome (Ver. 15 ~ 40), Apple Safari (Ver. 8.0.2 (Mac OS X 10.10), 7.0.6 (Mac OS X 10.9), 6.0.2 (Mac OS X 10.8, 10.7 only), 5.1.7* Mac OS X only
Central Management Software	SmartViewer, SSM
ENVIRONMENTAL	
Operating Temperature / Humidity	-40°C ~ +55°C (-40°F ~ +131°F) / Less than 90% RH * Start up should be done at above -35°C (-31°F)
Storage Temperature / Humidity	-30°C ~ +60°C (-22°F ~ +140°F) / Less than 90% RH
Ingress Protection / Vandal Resistance	IP66 / IK10
ELECTRICAL	
Input Voltage / Current	24V AC ±10%, 12V DC ±10%, PoE (IEEE802.3af, Class3)
Power Consumption	Max. 12W/13.5W (24V AC, Heater off / on), Max. 10W/11.5W (12V DC, Heater off / on), Max. 11.5W/12.95W (PoE, Heater off / on)
MECHANICAL	
Color / Material	Dark gray / Aluminium
Dimensions (WxHxD)	82.4 x 87.0 x 348.3mm (3.24" x 3.43" x 13.71") (With bracket)
Weight	1.42Kg (3.13 lb)

* The latest product information / specification can be found at www.samsungsecurity.com