

**WISENET**

# **In-ceiling Housing**

## Installation Manual

SHF-1500F



# TABLE OF CONTENTS

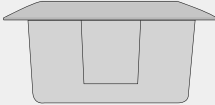


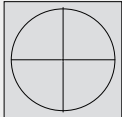

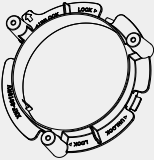
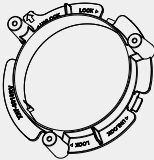

---

Overview .....	3
What's Included .....	3
Installation Instructions .....	4
Installation .....	4
Product Specifications .....	8

# OVERVIEW

This In-CEILING HOUSING is a mounting ADAPTOR that is designed to mount the smart FISH-EYE CAMERA in built-in style on a double-layer ceiling.

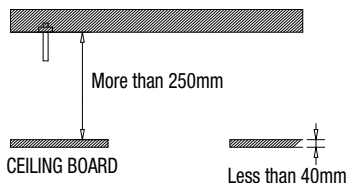
## WHAT'S INCLUDED

		
HOUSING	SAFETY BRACKET (1EA)	SAFETY WIRE (1SET)
		
TEMPLATE (1EA)	SCREW (3EA)	Lower bracket (XNF type only)
		
Lower bracket (PNF type only)	INSTALLATION MANUAL	

# INSTALLATION INSTRUCTIONS

---

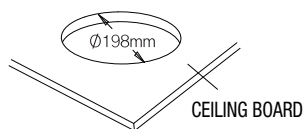
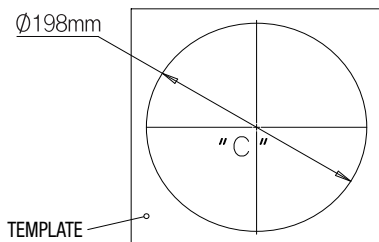
1. Select an installation position or place that can endure more than 4 times of the total weight of the installation structure.
2. At least 250mm or more of spare height is required above the **CEILING BOARD**.
3. **CEILING BOARD**'s thickness should be less than 40mm.
4. Be sure to secure the SAFETY WIRE to avoid a product fall.
5. If you want to attach the camera to the ADAPTOR, use the only provided SCREWS.



## INSTALLATION

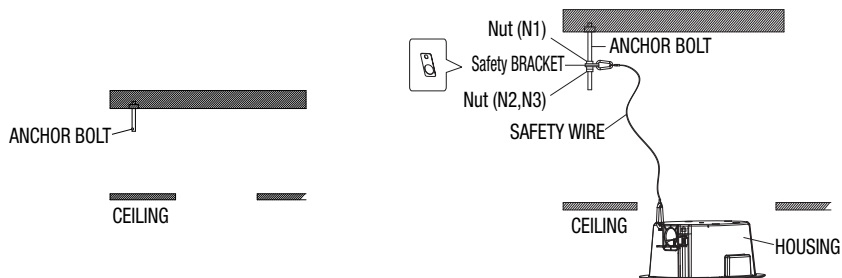
---

1. Place the **TEMPLATE** on the **CEILING BOARD** and drill a guided hole.
  - 1 Remove the round filling ("C") from the **TEMPLATE**.
  - 2 Place **TEMPLATE A** onto the **CEILING BOARD** to which you will attach the ceiling mount ADAPTOR and drill a hole of  $\text{Ø}198\text{mm}$  in diameter.See the figure below for the hole shape.



2. Fix the **ANCHOR BOLT** onto the concrete **CEILING**, and secure the **SAFETY WIRE** to the **ANCHOR BOLT** as below:

- ① Tighten the nut ("N1") on the **ANCHOR BOLT**.
- ② Insert the provided **SAFETY BRACKET** into the **ANCHOR BOLT**.
- ③ Tighten two nuts ("N2", "N3") onto the **ANCHOR BOLT**.
- ④ Hook and fix one end of the **SAFETY WIRE** onto the **SAFETY BRACKET**.
- ⑤ Hook and fix the other end of **SAFETY WIRE** onto the **HOUSING** as shown below.

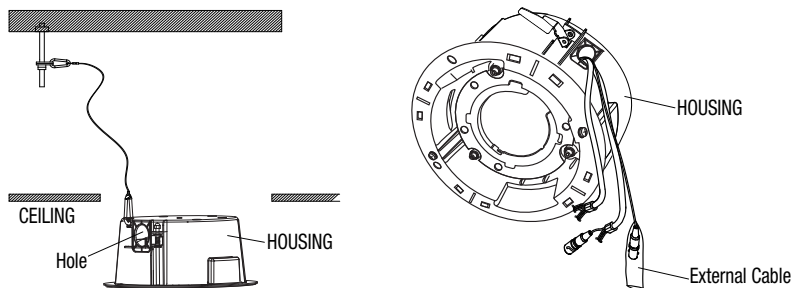


※ The ANCHOR BOLTS and nuts are optional and not included in the product package.

3. To connect to the camera, insert the external cable through the side **hole** on the **housing** to the inside of the **housing** as shown in the figure.



- Refer to the installation manual of the camera that you want to install, and prepare necessary cables for camera connection.

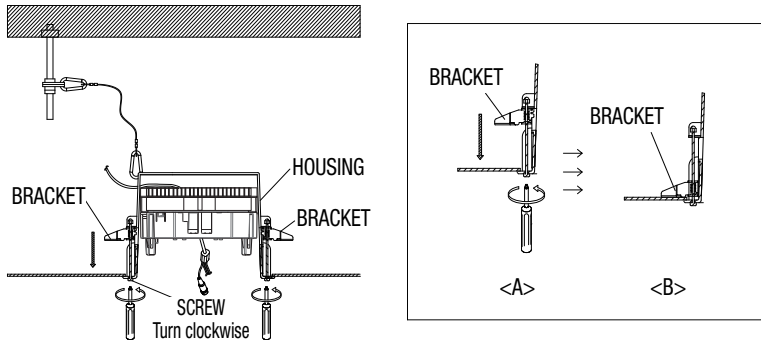


# INSTALLATION

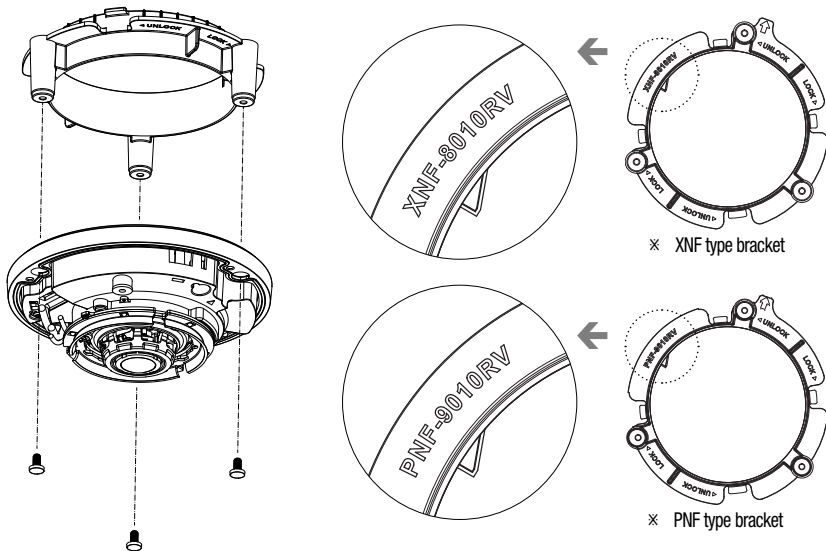
4. Push the **HOUSING** inside the **CEILING** through the **CEILING** hole, and tighten the **SCREWS** (x2) clockwise to fix the **HOUSING** on the **CEILING**.  
(The **BRACKET** will be positioned from <A> to <B> as shown.)



- Ensure that the **HOUSING** is firmly secured to the **CEILING BOARD**.

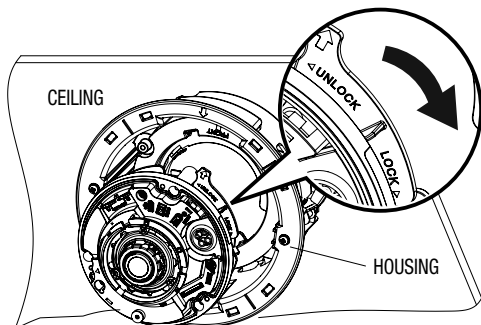


5. Combine the dome camera and the bracket using two screws.

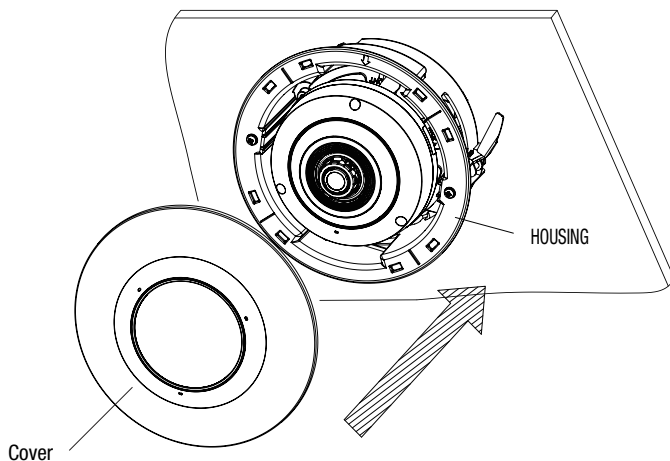


6. Insert the bracket where the camera is mounted into the **housing** and fix it by turning it in the **LOCK** direction.

- When the installation is completed, remove both **PROTECTIVE TAPE** and **PRETOECTIVE COVER** from the lens.

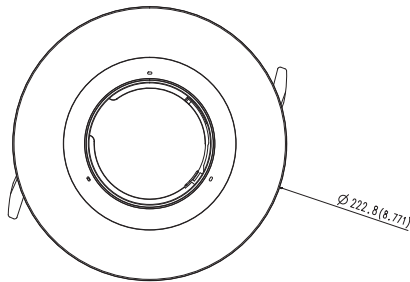


7. Attach the **COVER** to the **HOUSING**.

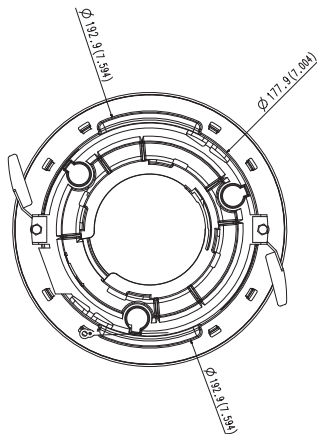
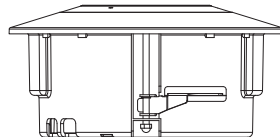
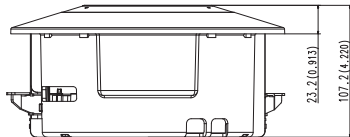


# PRODUCT SPECIFICATIONS

Item	Specifications
Dimension (mm)	D222.8 X H107.2
Weight	480g
Temperature	-10°C ~ 50°C
Material	PC
Color	Ivory



unit : mm(inch)



MEMO

---

**Head Office**

6, Pangyo-ro 319 beon-gil, Bundang-gu, Seongnam-si,  
Gyeonggi-do, 463-400 Rep. of KOREA  
Tel : +82.70.7147.8753 Fax : +82.31.8018.3740  
[www.hanwha-security.com](http://www.hanwha-security.com)

---

**Hanwha Techwin America**

500 Frank W. Burr Blvd. Suite 43 Teaneck, NJ 07666  
Toll Free +1.877.213.1222 Direct +1.201.325.6920  
Fax +1.201.373.0124  
[www.hanwha-security.com](http://www.hanwha-security.com)

---

**Hanwha Techwin Europe**

Heriot House, Heriot Road, Chertsey, Surrey, KT16 9DT, United Kingdom  
Tel +44.1932.57.8100 Fax +44.1932.57.8101  
[www.hanwha-security.eu](http://www.hanwha-security.eu)

---